

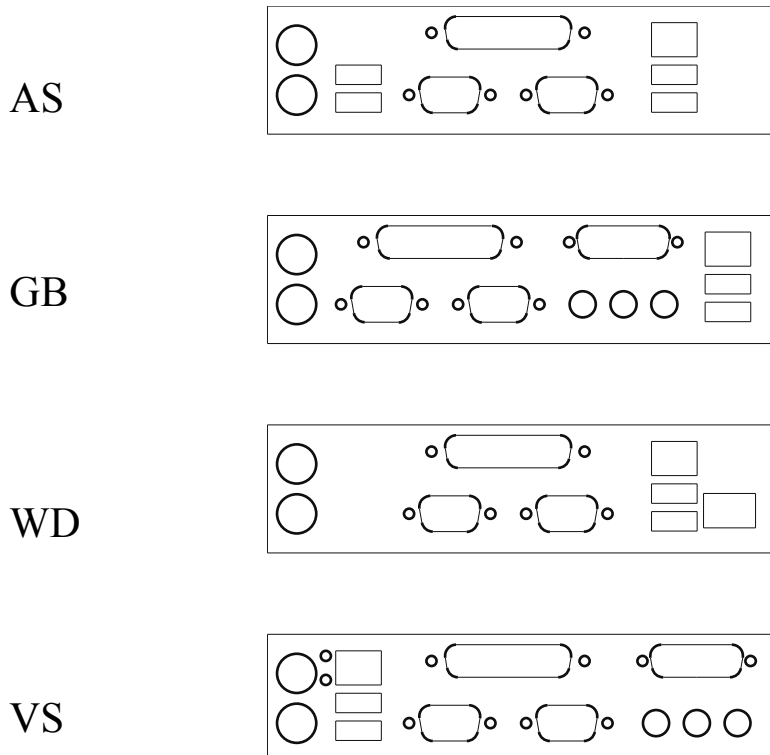
Back Panel ATX I/O shields

Designed for the greatest level of flexibility possible for external I/O

At the rear of 1U D14200 chassis has 134,4mm wide by 29,9mm high cutout aperture for the stacked I/O connectors on the motherboard. This area is blanked by motherboard-specific I/O shields, thus creating a motherboard-independent chassis.

The shields are mounted at the motherboard, unlike regular shields that are clipped to the chassis.

Four types of differently-perforated shields are presented in this document:



These shields are designed for most popular ATX and mini-ATX motherboards. D14200 chassis is equipped only with 1 shield. You should choose type of shield that You need and make correct order of D14200.

For example: DS15050-WD is a chassis with "WD" shield.

DS15050-CD-VS is a D14200-CD chassis with "VS" shield.

Attention. Some motherboards (AS shield required especially) have high sound connector that cannot be fitted in 1U chassis. You should either order motherboards without sound connector or remove this connector Yourself. "AS" shield do not contain holes for this connector!

If You have in mind some special motherboards, please indicate type of your motherboard and inform us. We can produce necessary shields in advance and will have it in stock.