

**Power supply unit ATX 50W  
with input current 100 - 240VAC**

[www.inpc.com.ua](http://www.inpc.com.ua)

**DP010  
DP010-F1  
DP010-F2**

**Input features:**

Minimum input voltage: ~100VAC

Maximum input voltage: ~240VAC

**Output connectors:**

20-pin ATX (MF-20F) (power rails: +5Vsb, +5V, +3.3V, +12V, -12V, GND, PS-ON, PG)

4-pin for HDD ATA (TH-4F) (power rails: +5V, GND, +12V)

4-pin for FDD (THU-4F) (power rails: +5V, GND, +12V)

**Output features:**

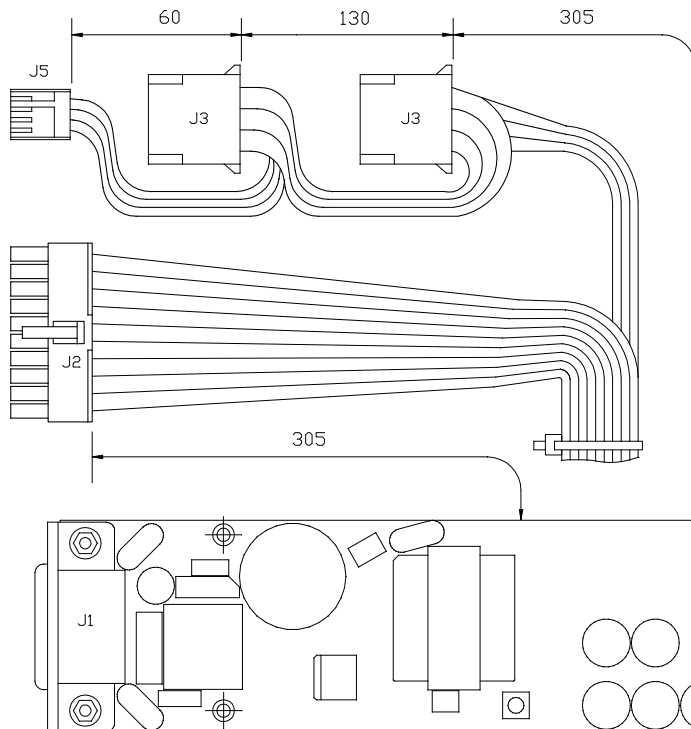
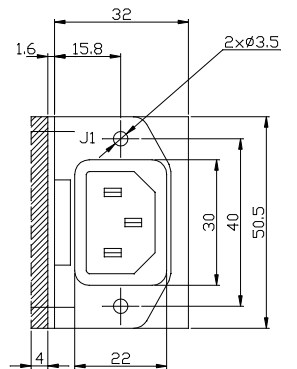
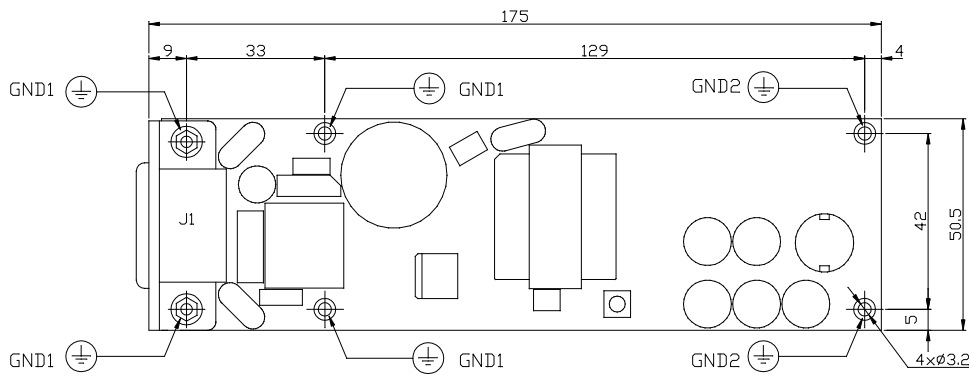
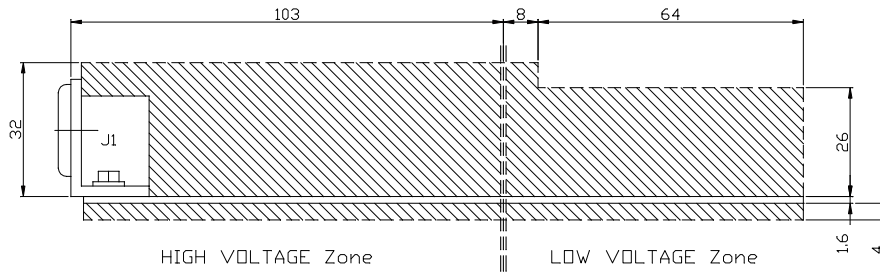
Power rail	Nominal voltage, V	Nominal voltage tolerance range, %	Maximum current, A
+5Vsb	5	+5 / -3	2
+5V	5	+5 / -3	6
+3.3V	3.3	±2	5
+12V	12	±3	2
-12V	-12 <sup>(1)</sup>	—	0.1

<sup>(1)</sup> Output voltage is not stabilized, depends on the load. Maximum voltage value with no load not exceed -14.5V. Minimum output voltage with load 0.1A – not less then -11.5V.

# Power supply unit ATX 50W with input current 100 - 240VAC

[www.inpc.com](http://www.inpc.com)

## DP010



J1 AC INPUT

J2 J2 ATX OUT MF-20F  
(MOLEX 5557 39-01-2200)

Pin	Description	Pin	Description
1	+3.3V	11	+3.3V
2	+3.3V	12	-12V
3	GND	13	GND
4	+5V	14	PS_ON
5	GND	15	GND
6	+5V	16	GND
7	GND	17	GND
8	PWR GD	18	NC
9	+5V_SB	19	+5V
10	+12V	20	+5V

J3, J4 J3, J4 HDD OUT TH-4F  
(MOLEX 8981-04P)

Pin	Description	Wire Color
1	+12V	Yellow
2	GND	Black
3	GND	Black
4	+5V	Red

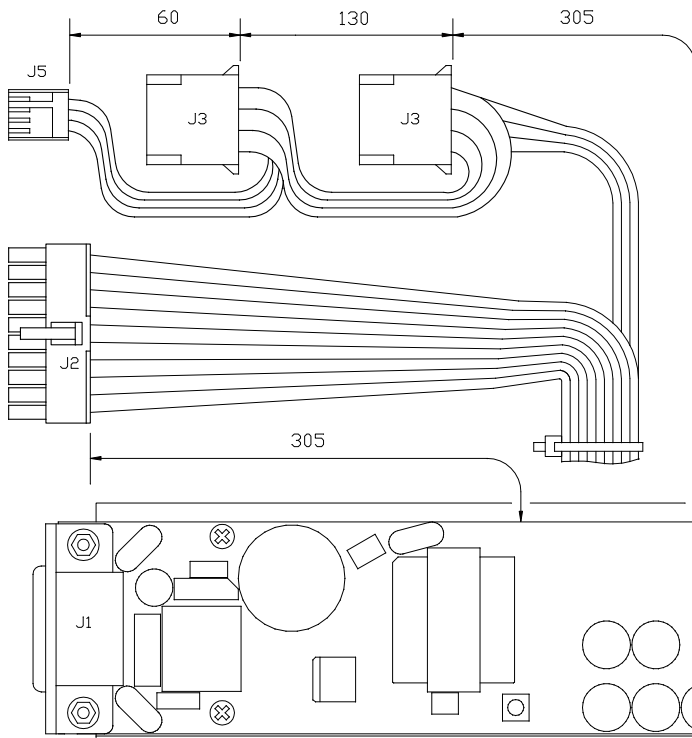
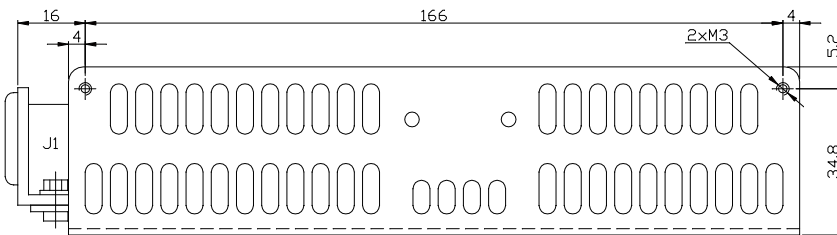
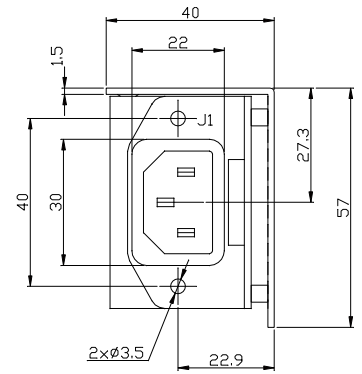
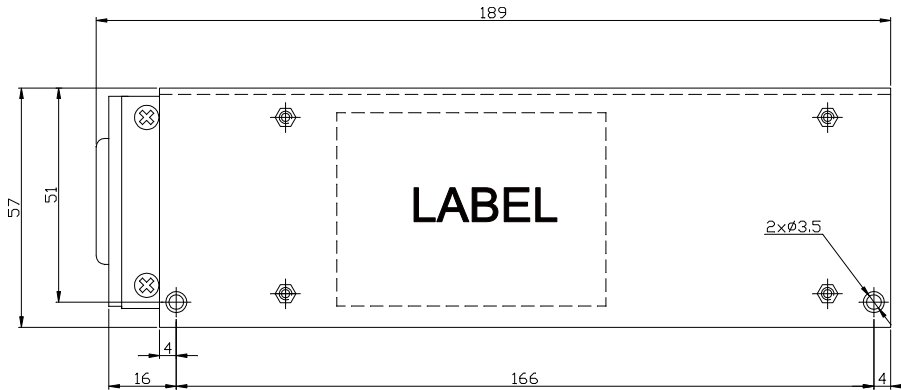
J5 J5 FDD OUT THU-4  
(AMP 171822-4)

Pin	Description	Wire Color
1	+5V	Red
2	GND	Black
3	GND	Black
4	+12V	Yellow

**Power supply unit ATX 50W  
with input current 100 - 240VAC**

[www.inpc.com.ua](http://www.inpc.com.ua)

**DP010-F1**



J1 AC INPUT

J2 ATX OUT MF-20F  
(MOLEX 5557 39-01-2200)

Pin	Description	Pin	Description
1	+3.3V	11	+3.3V
2	+3.3V	12	-12V
3	GND	13	GND
4	+5V	14	PS_ON
5	GND	15	GND
6	+5V	16	GND
7	GND	17	GND
8	PWR_GD	18	NC
9	+5V_SB	19	+5V
10	+12V	20	+5V

J3, J4 HDD OUT TH-4F  
(MOLEX 8981-04P)

Pin	Description	Wire Color
1	+12V	Yellow
2	GND	Black
3	GND	Black
4	+5V	Red

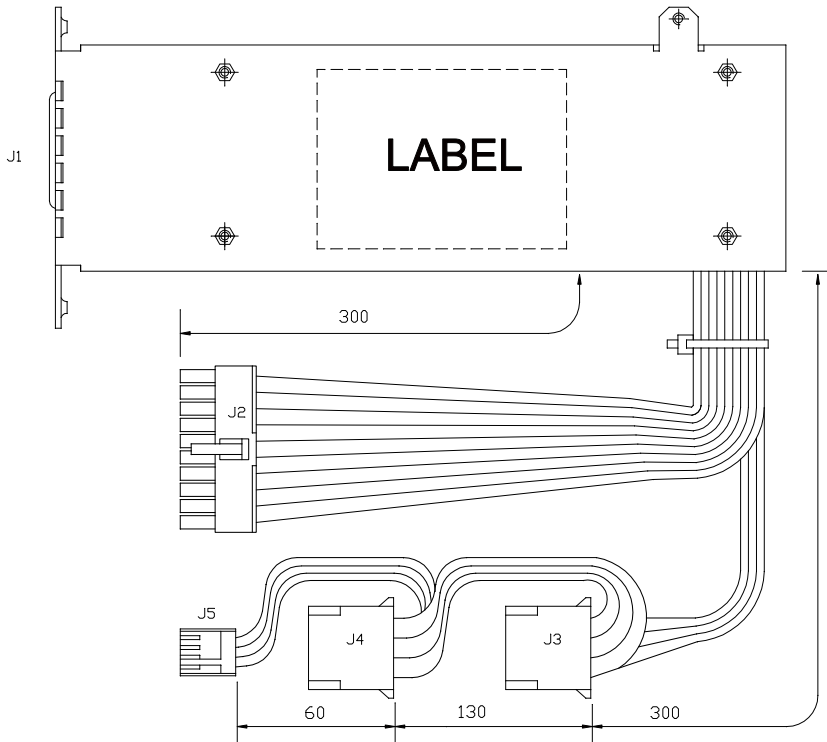
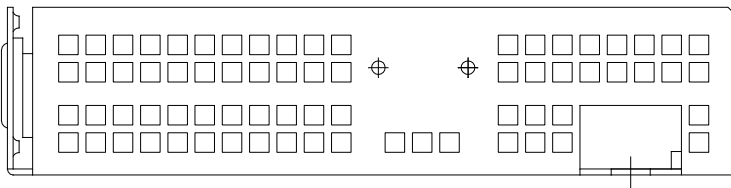
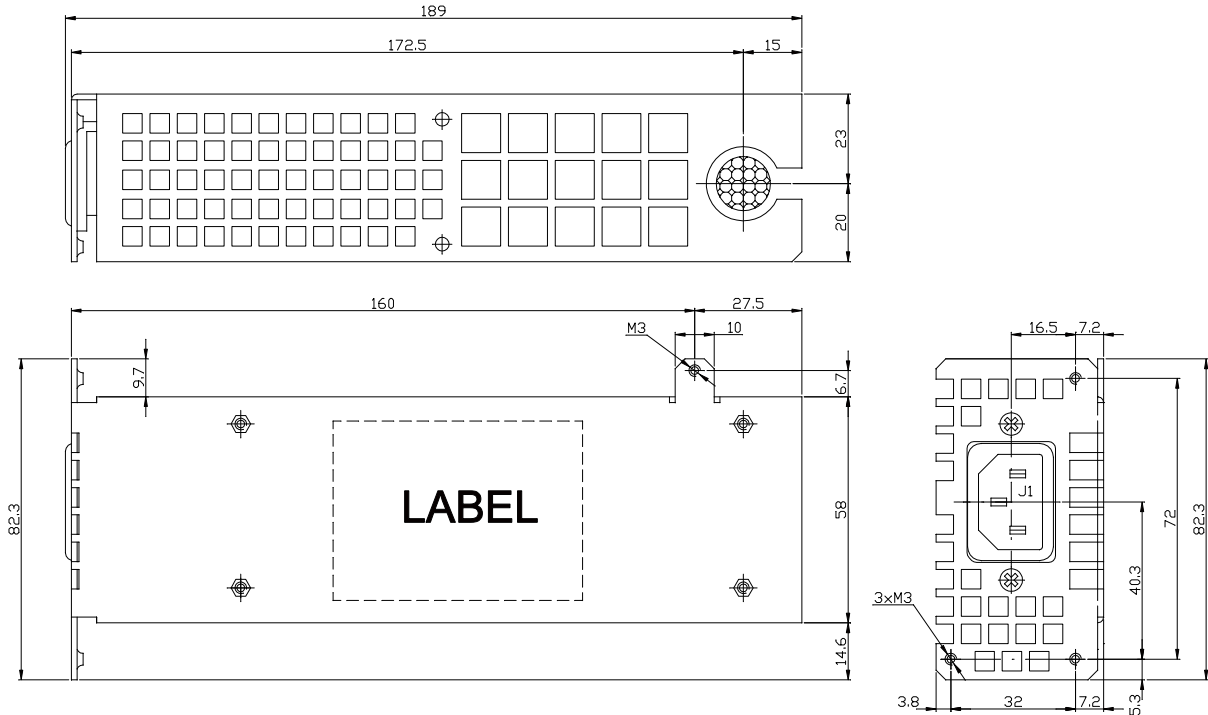
J5 FDD OUT THU-4  
(AMP 171822-4)

Pin	Description	Wire Color
1	+5V	Red
2	GND	Black
3	GND	Black
4	+12V	Yellow

**Power supply unit ATX 50W  
with input current 100 - 240VAC**

[www.inpc.com.ua](http://www.inpc.com.ua)

**DP010-F2**



- J1** J2 AC INPUT
- J2** J2 ATX OUT MF-20F (MOLEX 5557 39-01-2200)
- |    |    |     |             |     |             |
|----|----|-----|-------------|-----|-------------|
| 1  | 11 | Pin | Description | Pin | Description |
| 2  | 12 | 1   | +3.3V       | 11  | +3.3V       |
| 3  | 13 | 2   | +3.3V       | 12  | -12V        |
| 4  | 14 | 3   | GND         | 13  | GND         |
| 5  | 15 | 4   | +5V         | 14  | PS_ON       |
| 6  | 16 | 5   | GND         | 15  | GND         |
| 7  | 17 | 6   | +5V         | 16  | GND         |
| 8  | 18 | 7   | GND         | 17  | GND         |
| 9  | 19 | 8   | PWR GD      | 18  | NC          |
| 10 | 20 | 9   | +5V SB      | 19  | +5V         |
|    |    | 10  | +12V        | 20  | +5V         |
- J3, J4** J3, J4 HDD OUT TH-4F (MOLEX 8981-04P)
- |     |             |            |
|-----|-------------|------------|
| Pin | Description | Wire Color |
| 1   | +12V        | Yellow     |
| 2   | GND         | Black      |
| 3   | GND         | Black      |
| 4   | +5V         | Red        |
- J5** J5 FDD OUT THU-4 (AMP 171822-4)
- |     |             |            |
|-----|-------------|------------|
| Pin | Description | Wire Color |
| 1   | +5V         | Red        |
| 2   | GND         | Black      |
| 3   | GND         | Black      |
| 4   | +12V        | Yellow     |