

D6010 Series

60X60X10mm (2.36"X2.36"X0.39")



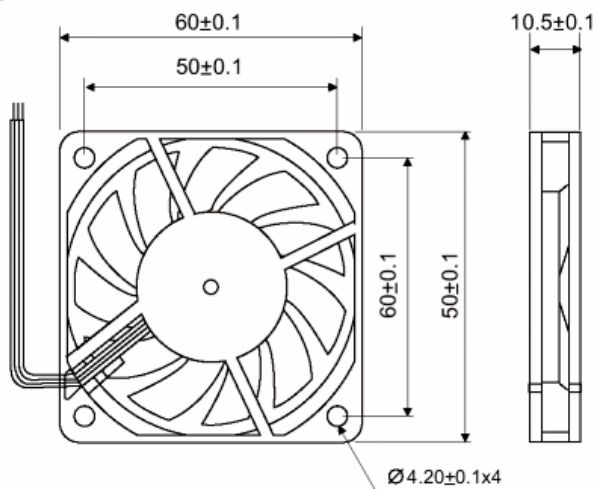
HOUSING	Thermoplastic PBT, UL94V-0
IMPELLER	Thermoplastic PBT, UL94V-0
BEARING	Sleeve or Ball
OPERATING TEMPERATURE	Sleeve Bearing:-10 °C to +70 °C Ball Bearing:-30 °C to +75 °C
INSULATION RESISTANCE	10 meg Ohms Min. @500 VDC (Between Frame and Terminal)
DIELECTRIC STRENGTH	5 mA Max. at 500 VAC 60Hz for 1 minute (Between Frame and Terminal)
WEIGHT	30g
ROHS COMPLIANCE	Yes

SPECIFICATION

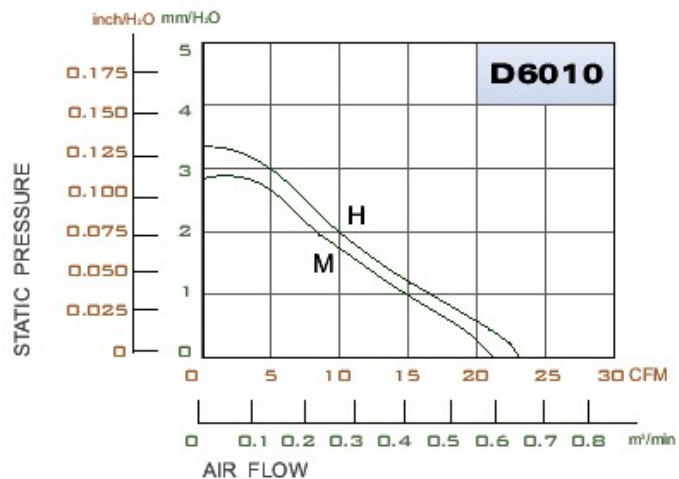
MODEL NO.	RATED VOLTAGE (V)	RATED CURRENT (A)	INPUT POWER (W)	SPEED (RPM)	MAX. AIR PRESSURE		Maximum Air Flow		NOISE dB(A) @1M
					inchH ₂ O	mmH ₂ O	CFM	m ³ /min	
D6010V12H	12	0.21	2.52	4700	0.13	3.30	23.30	0.66	36.8
D6010V12M	12	0.16	1.92	4200	0.11	2.84	20.70	0.59	35

DIMENSION

Unit:mm



AIR PERFORMANCE



ACTIVA INC.

9F-1, 472, Chung San 2nd Road, Kaohsiung 800, Taiwan, R.O.C.
 TEL:886-7-2824356 FAX:886-7-2414287
 Website:www.activa.com.tw Email:symbang@seed.net.tw